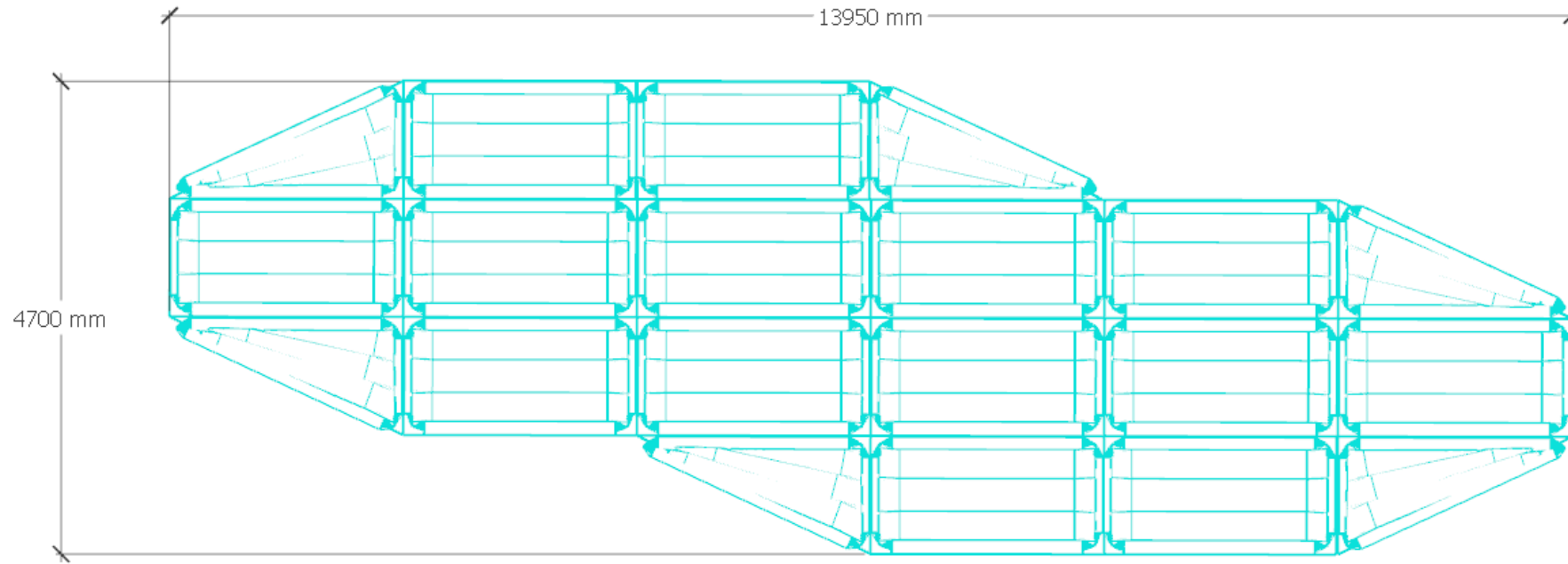

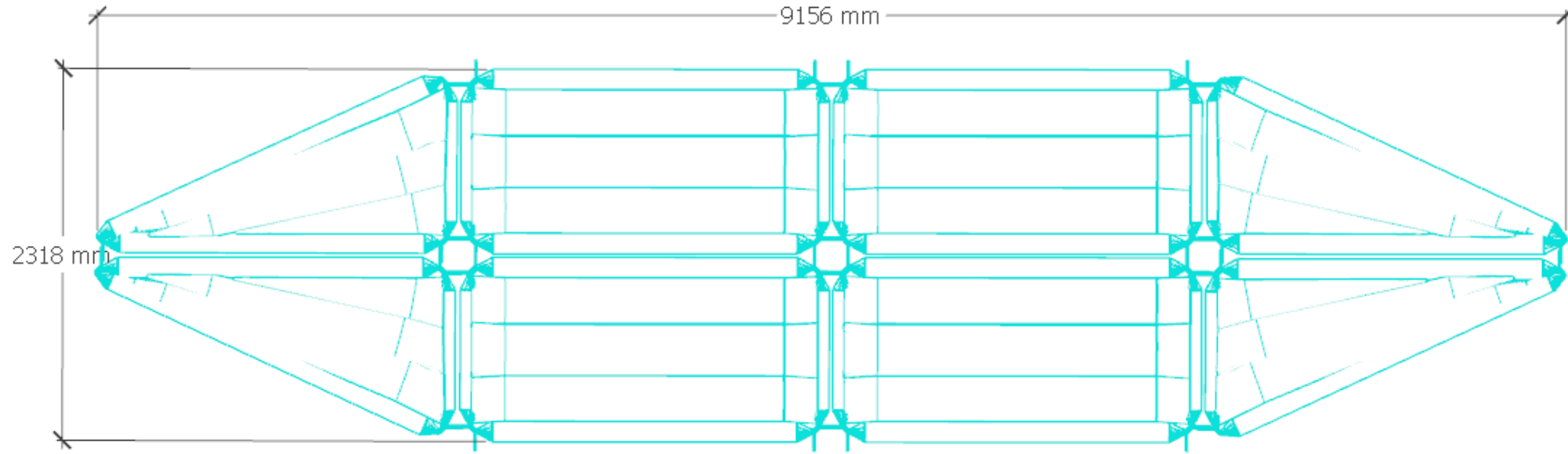


Floating Ecosystems

Zaandam Centrum – pilot



<p>DESIGN NUMBER: 940 LOCATION: Zaandam Centrum SCALE: NTS</p>	<p>Island 1 Zaantheater</p>	<p>ISSUE DATE: Drawn By: SRH</p>	<p>BIOMATRIX WATER, Horizon Scotland, The Enterprise Park, Forres, Moray, Scotland IV36 2AB, +44(0) 1309 678 100</p>	<p>www.biomatrixwater.com</p> 
---	-----------------------------	---	--	---



DESIGN NUMBER: 940

LOCATION: Zaandam Centrum

SCALE: NTS

Island 2 De Boeg

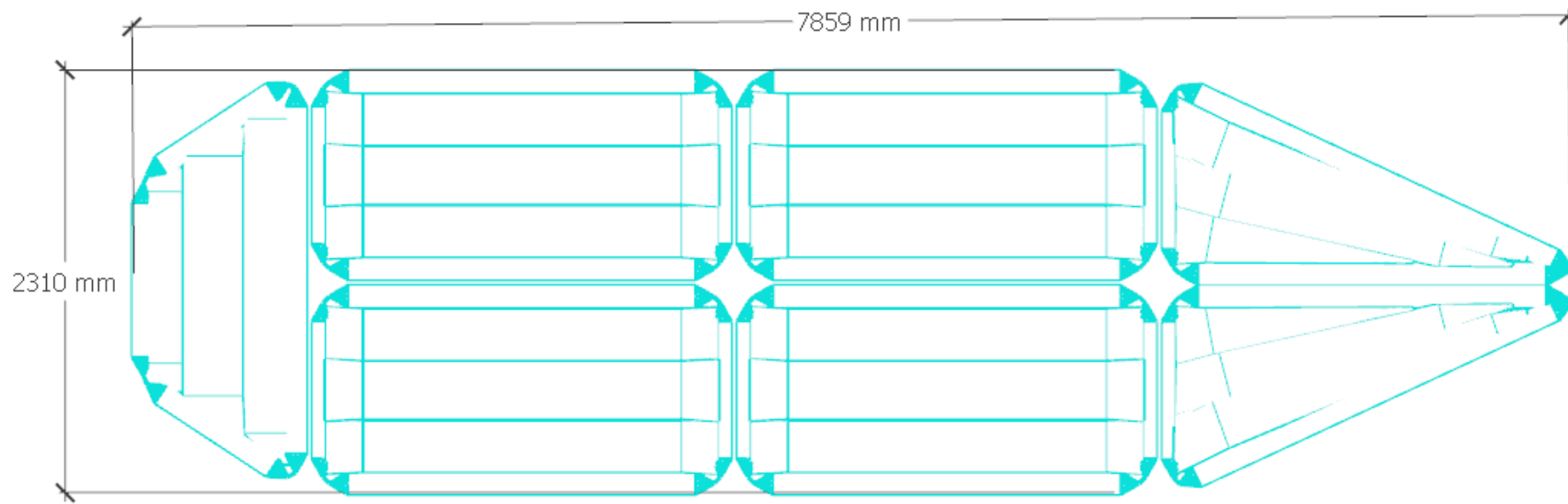
ISSUE DATE:

Drawn By: SRH

BIOMATRIX WATER, Horizon Scotland,
The Enterprise Park, Forres, Moray,
Scotland IV36 2AB,
+44(0) 1309 678 100

www.biomatrixwater.com





DESIGN NUMBER: 940
 LOCATION: Zaandam Centrum
 SCALE: NTS

Island 3 Rosmolen

ISSUE DATE:
 Drawn By: SRH

BIOMATRIX WATER, Horizon Scotland,
 The Enterprise Park, Forres, Moray,
 Scotland IV36 2AB,
 +44(0) 1309 678 100

www.biomatrixwater.com



MATERIALS & SUSTAINABILITY

STAINLESS STEEL (NON-TOXIC & FULLY RECYCLABLE)

POLYETHYLENE (NON-TOXIC & FULLY RECYCLABLE)

POLYETHYLENE (NON-TOXIC & FULLY RECYCLABLE)

COCONUT FIBRE (100% BIODEGRADABLE)

NO NON-WOVEN, PLASTIC PLANTING MEDIA

NO POLYURETHANE FOAM

NO POLYSTYRENE FOAM

NO PVC



The process of developing and manufacturing sustainable ecosystem support structures requires the greatest care and attention to detail in materials selection and materials policy

As such, all products manufactured by Biomatrix are fully non-toxic, contain no foam elements, contain no glues or resins and all components are 100% recyclable

